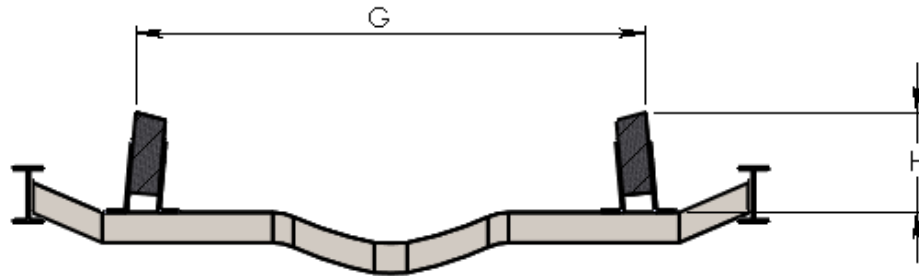
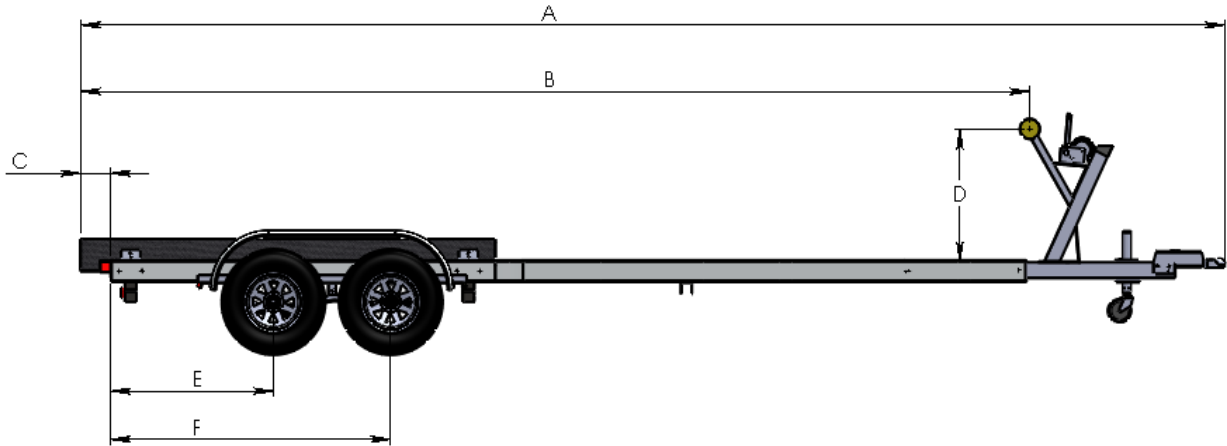


# VENTURE

WE TAKE THE WORLD BOATING

Boat Manufacturer: \_\_\_\_\_ Dealer Name: \_\_\_\_\_

Boat Model: \_\_\_\_\_ Year: \_\_\_\_\_



A	OAL of trailer	
B	End of bunk to bow roller	
C	End of bunk to end of frame	
D	Top of tongue to center of bow roller	
E	End of frame to center of rear axle	
F	End of frame to center of forward axle (if applicable)	
G	Bunk width (outside to outside)	
H	Top of crossmember to top of bunk	