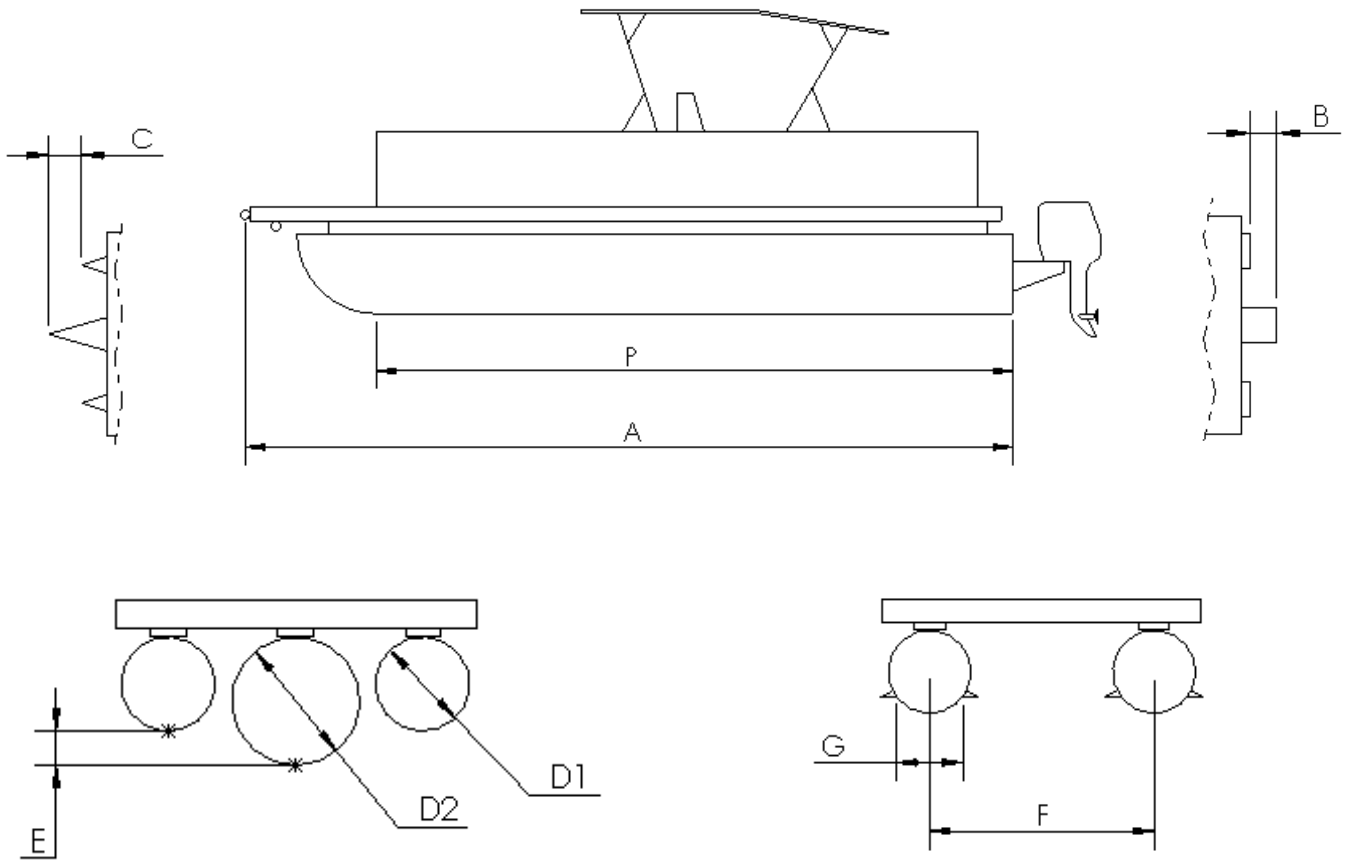


VENTURE

WE TAKE THE WORLD BOATING

Boat Manufacturer: _____ Dealer Name: _____

Boat Model: _____ Year: _____



A	Transom to Bow eye (Front/Underneath)	
B	STERN: Distance of middle pontoon past outside pontoon (0 if same length)	
C	BOW: Distance of middle pontoon past outside pontoon (0 if same length)	
D1	Diameter of outside pontoon	
D2	Diameter of center pontoon	
E	Height difference between outside and center pontoon	
F	Center to center distance of outside tubes	
G	Width of lifting strake	
P	Pontoon Length	