

Make:

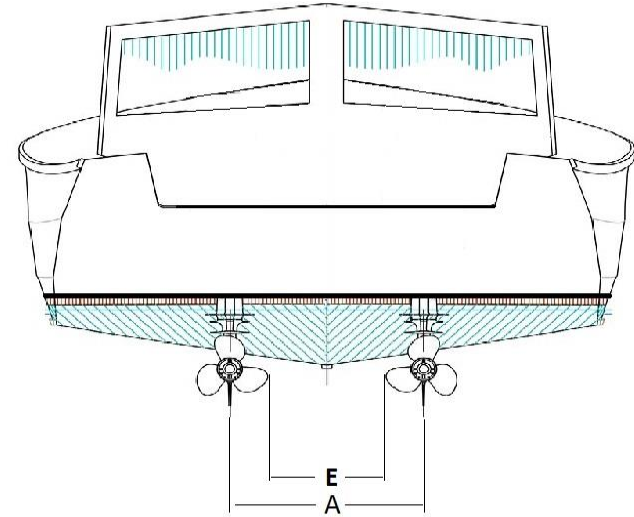
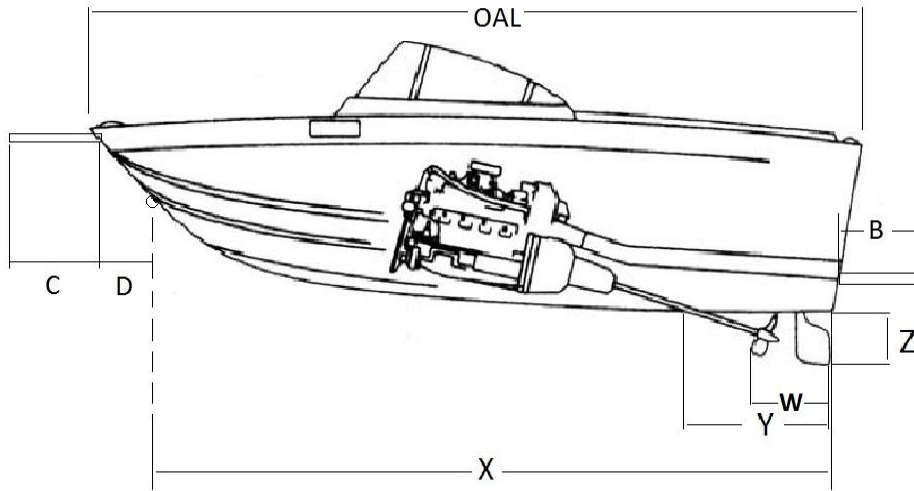
Model:

Dealer:

Date:



Twin Inboard Measurement Sheet



| | | |
|-----|--------------------------------------|--|
| OAL | Overall Length | |
| A | Prop Center Distance | |
| B | Swim Platform Length (if applicable) | |
| C | Pulpit to Bow (if applicable) | |
| D | Bow to Bow Eye (if applicable) | |
| E | Inside Prop Distance | |
| W | Transom to front of Prop | |
| X | Bow Eye to Transom | |
| Y | Transom to Shaft exit in hull | |
| Z | Rudder/Prop Depth | |