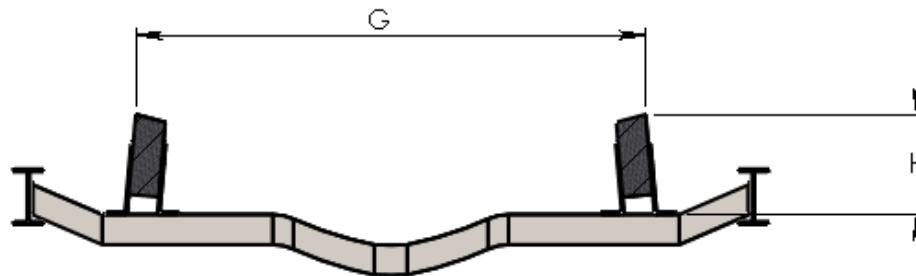
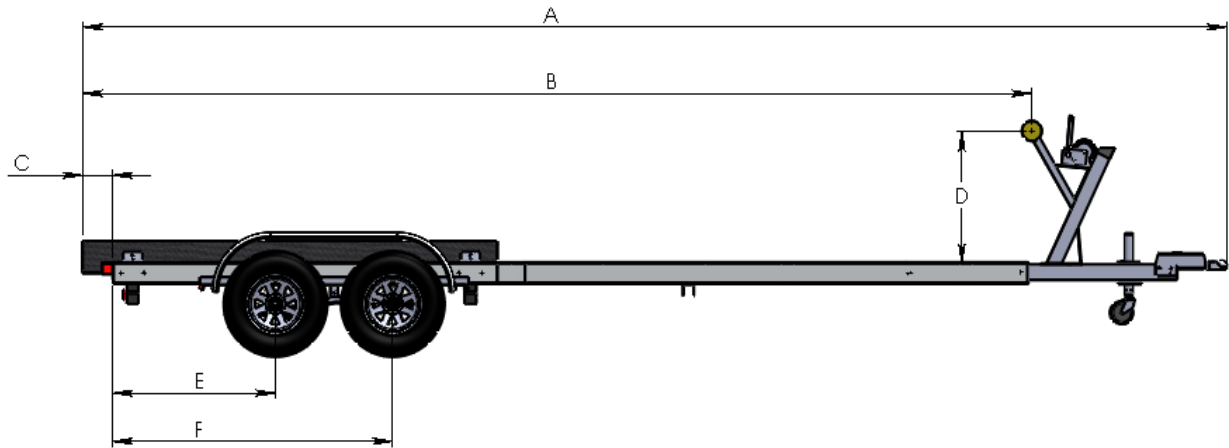


VENTURE

TRAILERS

Boat Manufacturer: _____ Dealer Name: _____

Boat Model: _____ Year: _____



A	OAL of trailer	
B	End of bunk to bow roller	
C	End of bunk to end of frame	
D	Top of tongue to center of bow roller	
E	End of frame to center of rear axle	
F	End of frame to center of forward axle (if applicable)	
G	Bunk width (outside to outside)	
H	Top of crossmember to top of bunk	